

Penguin Extended Vertical Pump

Features:

- **Easy Installation**
- **Chemical Resistant**
- **Extended Pump Lengths**
- **Corrosion Resistant Epoxy Paint**
- **Six Foot Cord with Grounded Plug on Single Phase, 115V Models**
- **Positive Displacement Air Purge Vent**

Recommended Applications:

- **Plating**
- **Etching**
- **Filtering**
- **Wet Processing**
- **Waste Treatment**
- **Wet Fume Scrubbing**
- **Transfer/Recirculation Pumping**



Model PX-2A

Our new Penguin extended vertical immersible pumps are simple in design, efficient in performance, and self-priming when immersed in solution. Constructed completely of CPVC with PTFE wear ring, or CPVC with PVDF impeller where in contact with the solution, this pump is suitable for pumping, agitating, filtering, or circulating acid and alkaline solutions, abrasive fluids, and other corrosive solutions up to 180 degrees F maximum temperature.

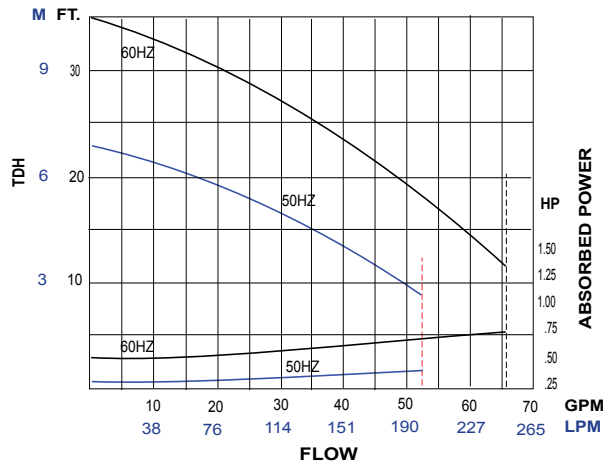
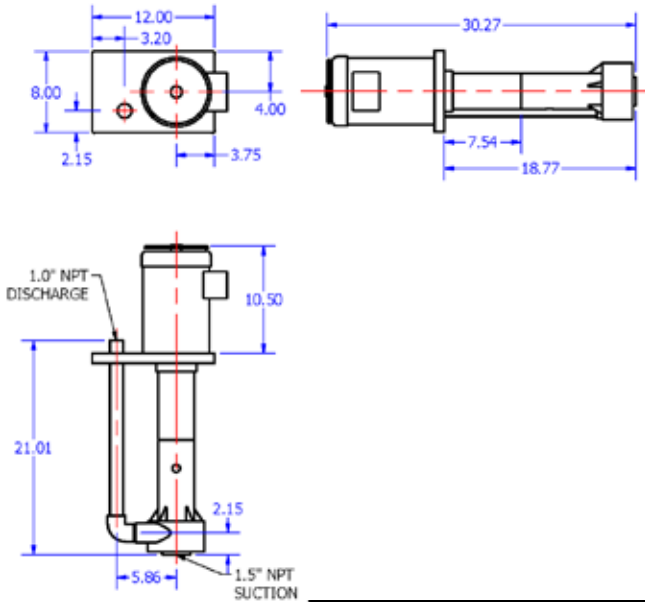
Standard motors are three phase and totally enclosed fan cooled, with two part epoxy coating for additional corrosion resistance. A rigid, solid stainless steel rotor/drive shaft with an oversized bearing is employed to minimize shaft alignment problems, while allowing for quick and easy bearing replacement when required. The three phase motors are shipped unwired. A standard air purge/vent screw assembly in the bottom motor housing extends the life of the bottom motor bearing when utilizing minimal 5 psi air to create a positive displacement. An optional ceramic sealing sleeve is available for added corrosion resistance in preventing fumes and condensables from contacting the metallic shaft or impeller insert.

Penguin vertical pumps are versatile, easy to install, and require a minimal amount of tank space, thus saving valuable floor space.

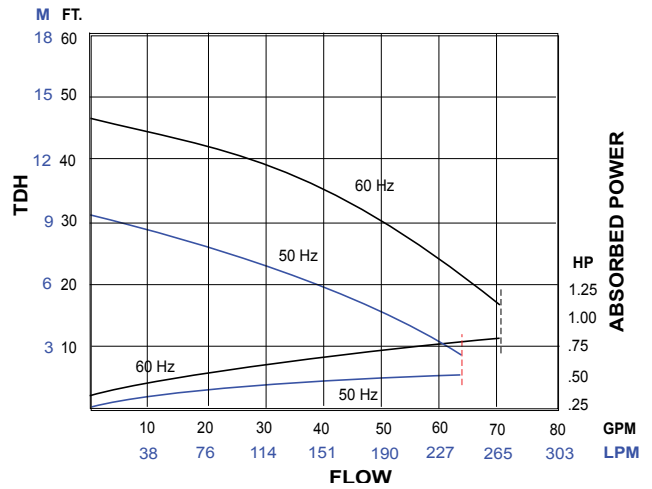
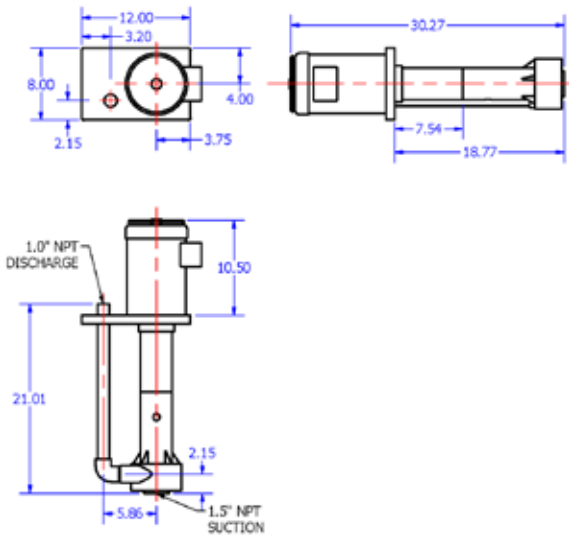
Series PX

Performance Data Based On Ambient Water, Specific Gravity 1.0

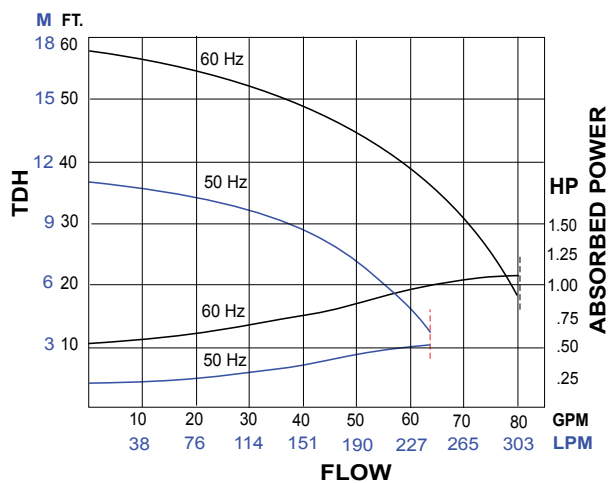
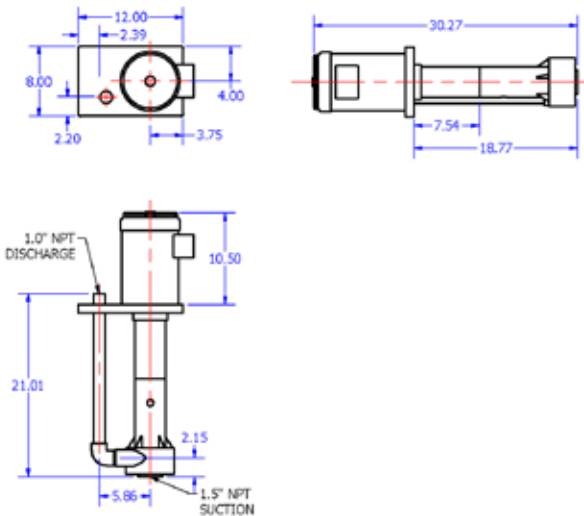
PX-1/2A-HP



PX-3/4A-HP



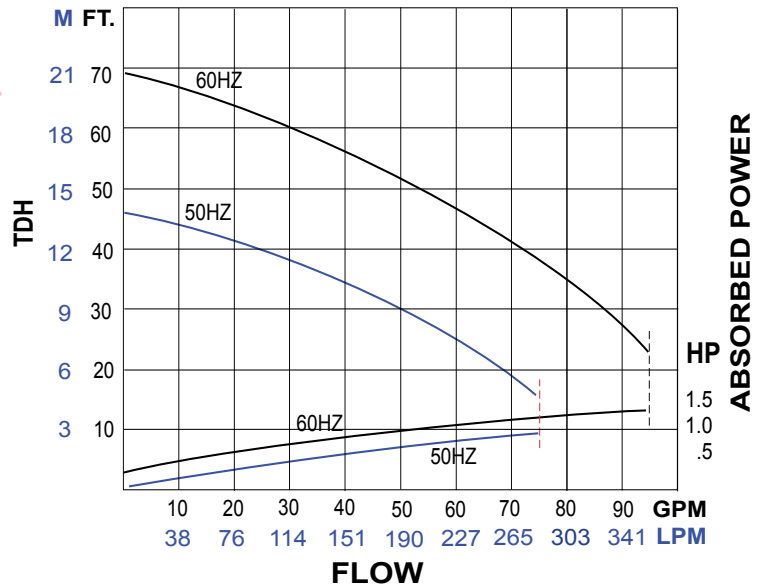
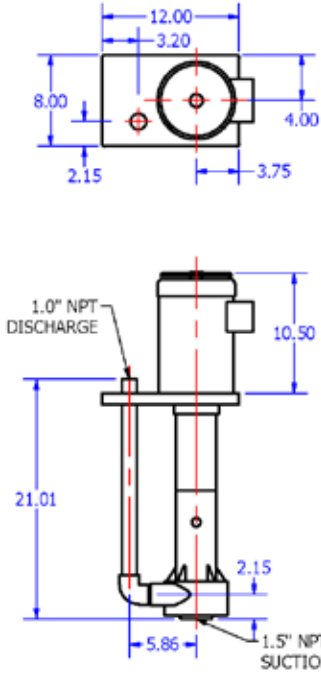
PX-1A



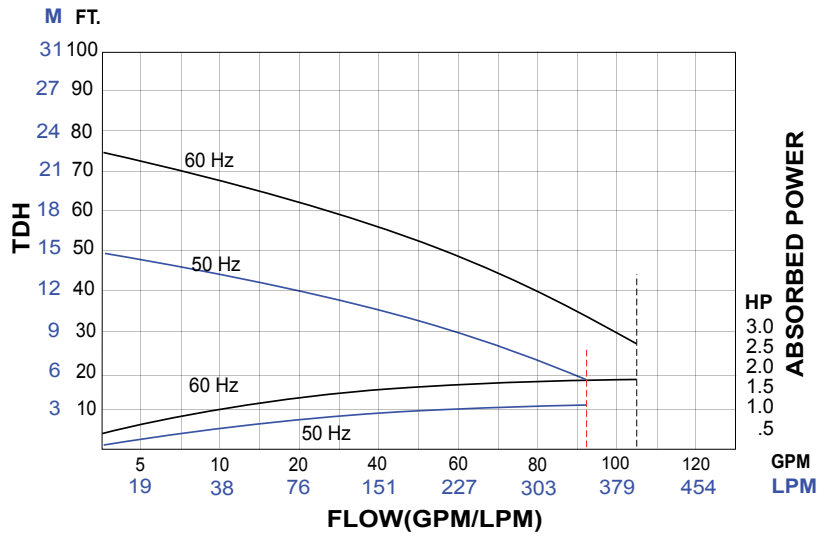
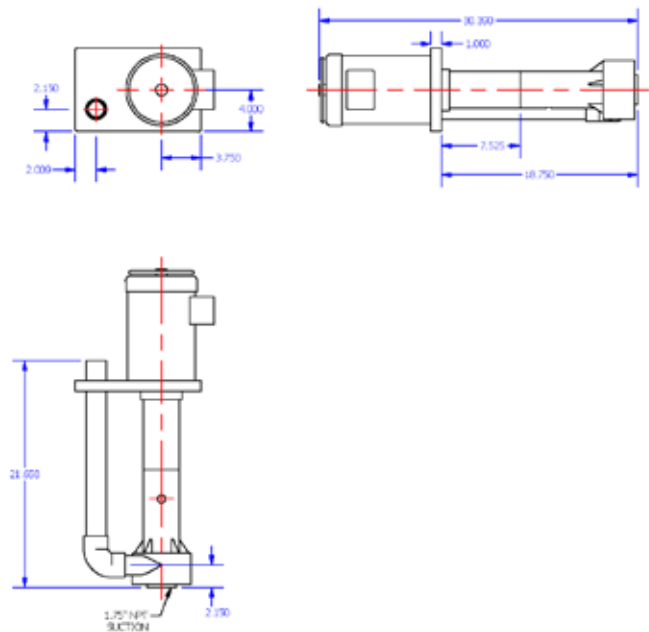
Series PX

Performance Data Based On Ambient Water, Specific Gravity 1.0

PX-1 1/2A

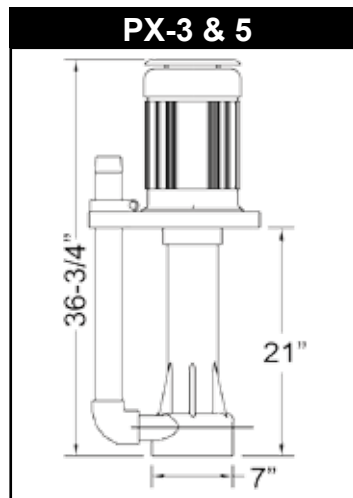
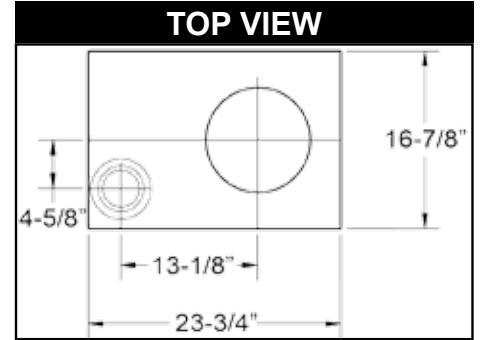
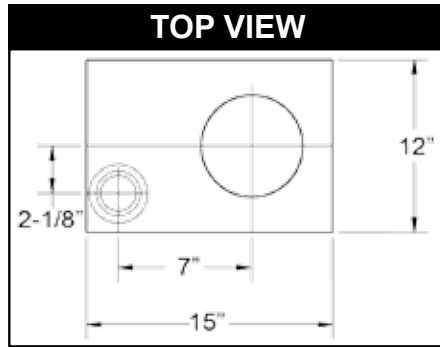
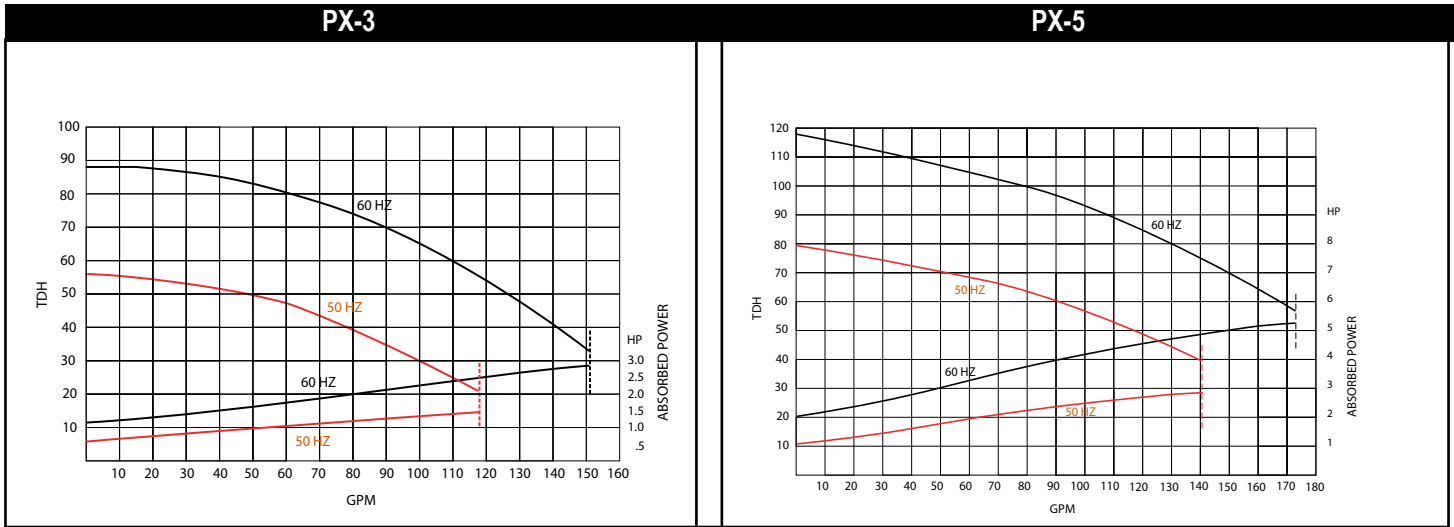


PX-2A



Series PX

Performance Data Based On Ambient Water, Specific Gravity 1.0



Series PX

Specifications

Part No.	Max Flow 60HZ (GPH) 50HZ (GPM)	Max Head 60HZ (FT)/ 50HZ (FT)	Suction	Discharge	Horse Power	Phase	Motor Volts	Hertz	AMPS	RPM
PX-1/2A-HP	66	35	1 1/2 FPT	1 MPT	1/2	1	115/230	60	7.8/3.9 6.4/3.2	3450/2850
	55	24				3	208- 230/460	60/50	1.9-1.8/9	3450/2850
PX-3/4A-HP	70	46	1 1/2 FPT	1 MPT	3/4	1	115/230	60	9.8/4.9 10/5	3450/2850
	58	31				3	208- 230/460	60/50	2.7-2.6/1.3	3450/2850
PX-1A	74	52	1 1/2 FPT	1 MPT	1	3	115/230	60	11/5.5 12.8/6.4	3450/2850
	61	36					208- 230/460	60/50	3.4-3.2/1.6	3450/2850
PX-1.5A	82	62	1 1/2 FPT	1 MPT	1.5	1	115/230	60/50	17.8/8.9	3450/2850
	68	42				3	208- 230/460	60/50	4.9-4.6/2.3	3450/2850
PX-2A	112	69	2 FPT	1 1/2MPT	2	3	208- 230/460	60/50	5.8-5.4/2.7	3450/2850
	93	47						50/60	8.2-7.8/3.9	3450/2850
PX-3	135	88	2 FPT	1 1/2MPT	3	3	208- 230/460	50/60	12.2-11.6/5.8	
	120	56								
PX-5	172	120	2 FPT	1 1/2MPT	5	3	208- 230/460	50/60	12.2-11.6/5.8	3450/2850
	140	80								

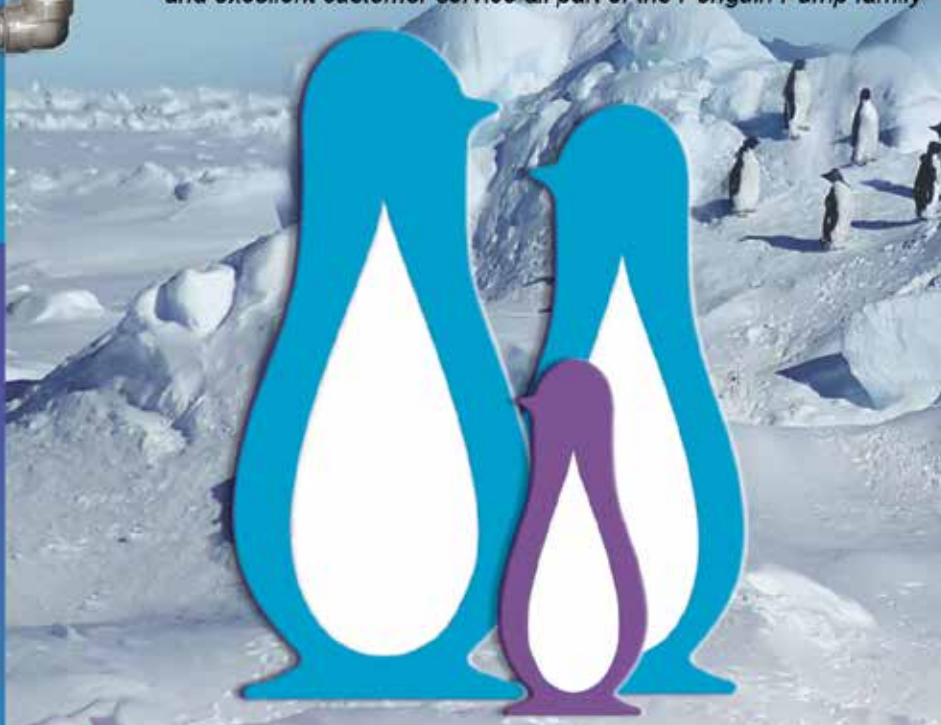
Nomenclature

PX	3	A	C	HP
Penguin Vertical Extended Pump	Horsepower	Construction Material/ O-Ring Elastomer Material	Impeller Material Construction	Impeller/Housing Construction
	.5=1/2	A=CPVC/EPR	None=Standard	
	.75=3/4		C = PVDF	
	1=1			
	1.5=1 1/2			
2=2				
3=3				
5=5				

Welcome to the Penguin Pump Family

Manufacturing Superior Quality Pumps in the USA for Over 40 years

- *The industry's choice for metal finishing, etching, wet fume scrubbing and other fluids management applications*
- *Serving customers through a growing worldwide network of distributors and dealers*
- *Product offerings include pumps; mixers; filter chambers; and filtration, precious metal recovery and eductor systems*
- *Impeccable quality control, customization, in-house engineering and excellent customer service all part of the Penguin Pump family*



Quality, Performance, Value



PENGUIN PUMPS

FILTER PUMP INDUSTRIES

www.filterpump.com sales@filterpump.com 818-504-2391

