

## Magnetic Pump

### Features

- Close-coupled design.
- Polypropylene or PVDF construction.
- Replaceable shaft.
- Neodymium magnets to handle specific gravity (SG ≤ 1.8).
- Mounts to standard NEMA and IEC motor frames.
- Mounts to motor without disassembly.
- Back pullout design.
- Sealless design-no mechanical seals to leak.
- Two piece impeller design.

### Industries & Applications

- Chemical manufacturing
- Metal plating/working
- Wastewater treatment
- Fume scrubbing
- Mining
- Paper mills
- Printing
- Pharmaceutical processing
- Agriculture
- OEM equipment supply
- General pump applications



### Capabilities

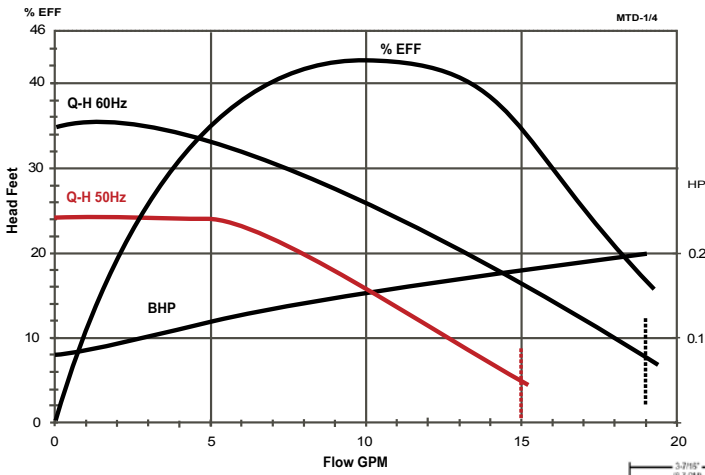
- Up to 70% operating efficiency
- High working pressure up to 90 psi
- High specific gravity handling- over 1.8\*
- Maximum viscosity: 150 cP
- Maximum Temperature:
  - Polypropylene - 180° F (82° C)
  - PVDF - 220° F (104° C)

Series MTD provides the latest enhanced design changes to seal less magnetic drive horizontal centrifugal pumps. Intended to provide ease and simplicity of operation the MTD series comes with a back pull out design allowing quick and easy service.

MTD incorporates the strongest magnets made from Neodymium material capable of handling specific gravity to 1.8. The use of this strong material assures trouble free start up, hydraulically efficient and continuous duty performance.

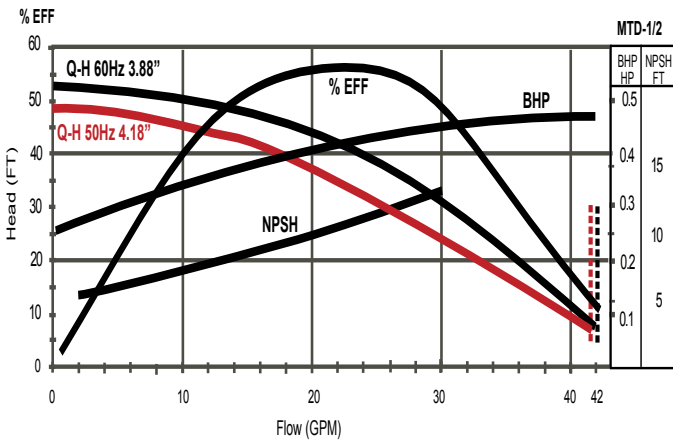
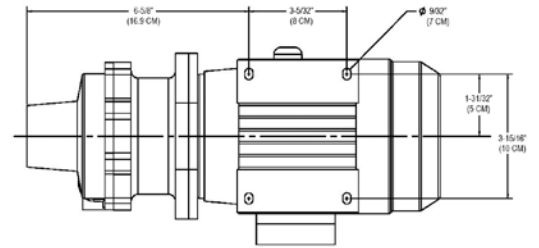
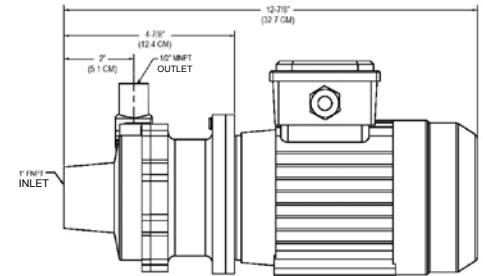
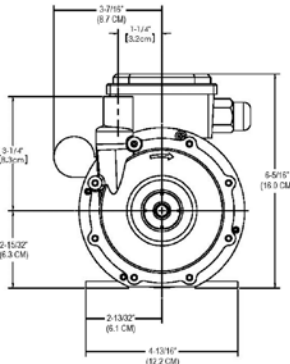
Carbon bushings allows the MTD design to ward off damage from extended dry run conditions where others fail. Pumps available with Polypro or Kynar along with optional bushings made of PTFE or silicon carbide materials handle even the most corrosive of applications making the MTD series the right choice.

# Series MTD

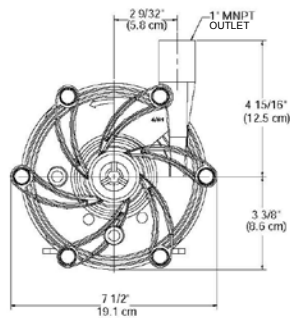


## MTD-1/4

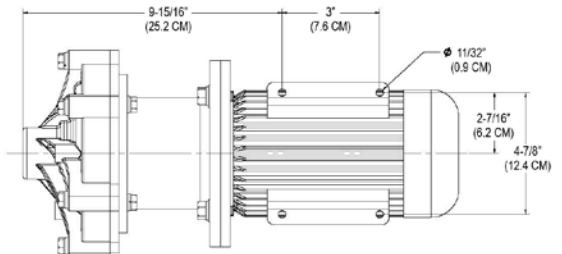
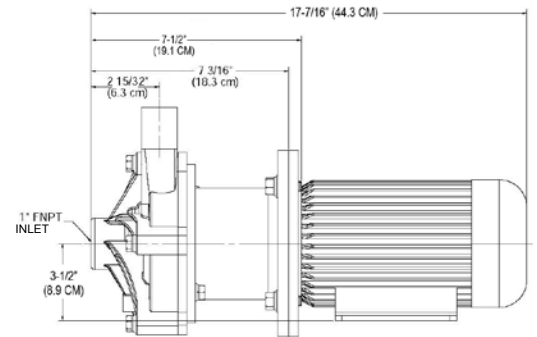
1" FNPT Inlet X 1/2" MNPT Outlet



1" FNPT Inlet X 1" MNPT Outlet  
3.88" Impeller 60Hz  
4.18" Impeller 50Hz

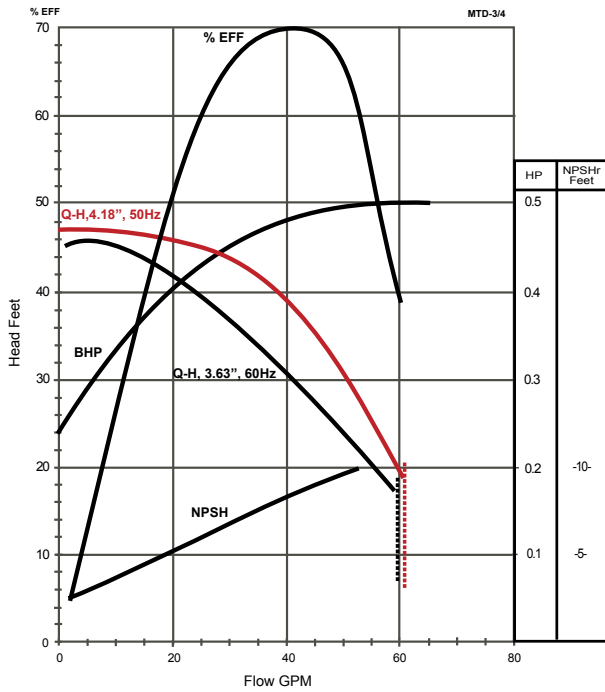


## MTD-1/2

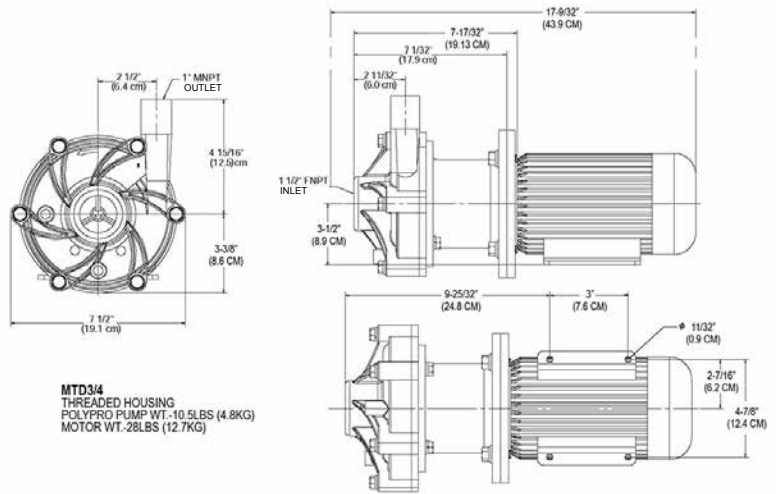


# Series MTD

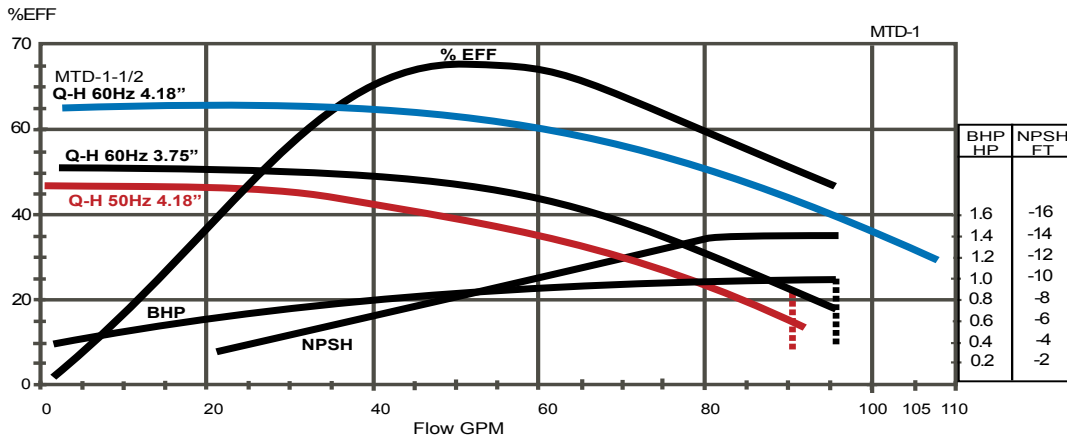
## MTD-3/4



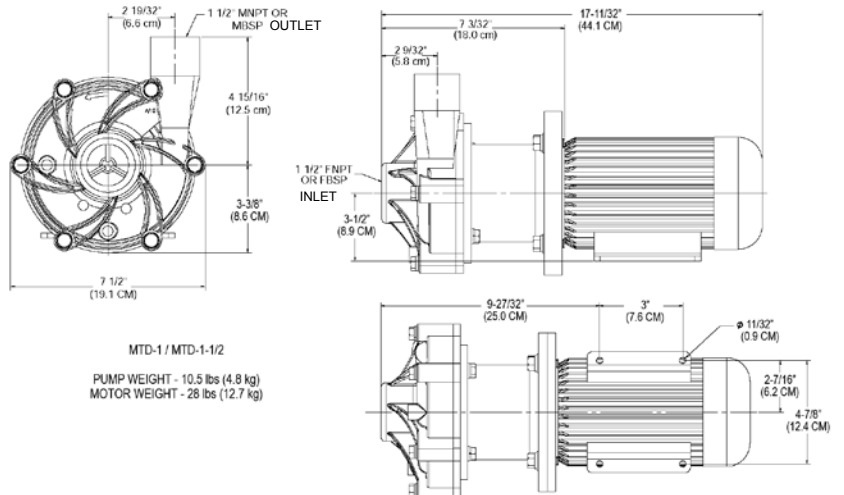
1-1/2" FNPT Inlet X 1" MNPT Outlet  
 3.63" Impeller 60Hz  
 4.18" Impeller 50Hz



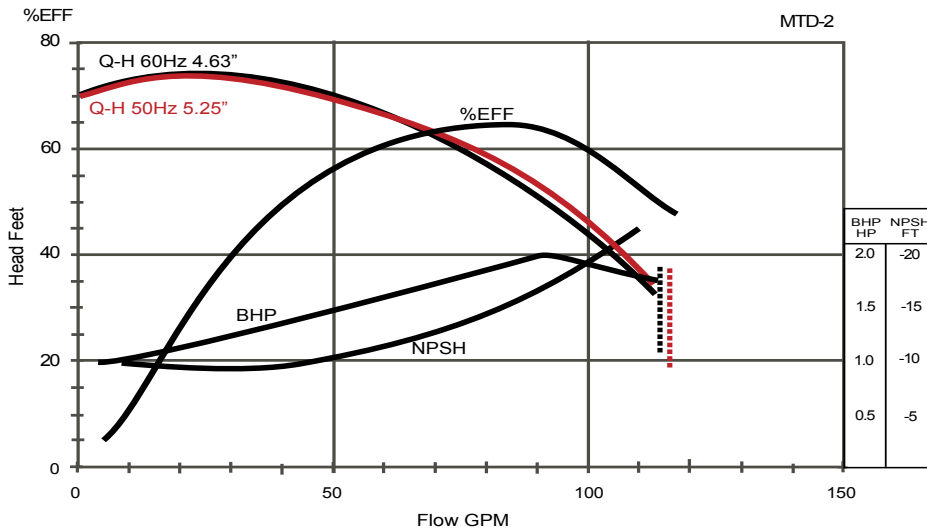
## MTD-1 & MTD1-1/2



1-1/2" FNPT Inlet X 1-1/2" MNPT Outlet  
 3.50" Impeller 60Hz  
 4.18" Impeller 50Hz

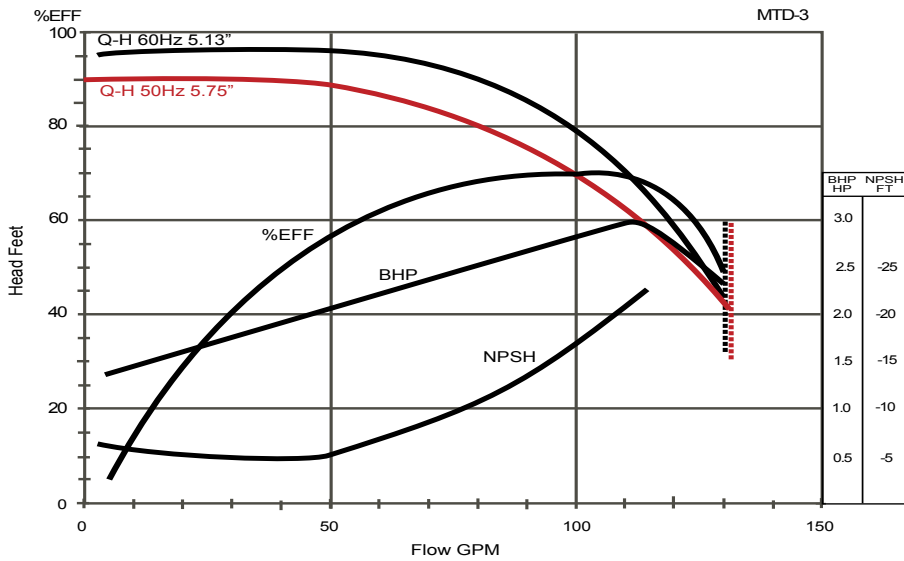


# Series MTD



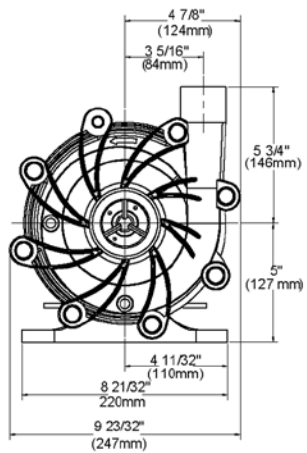
## MTD-2

2" FNPT Inlet X 1-1/2" MNPT Outlet  
4.63" Impeller 60Hz  
5.23" Impeller 50Hz



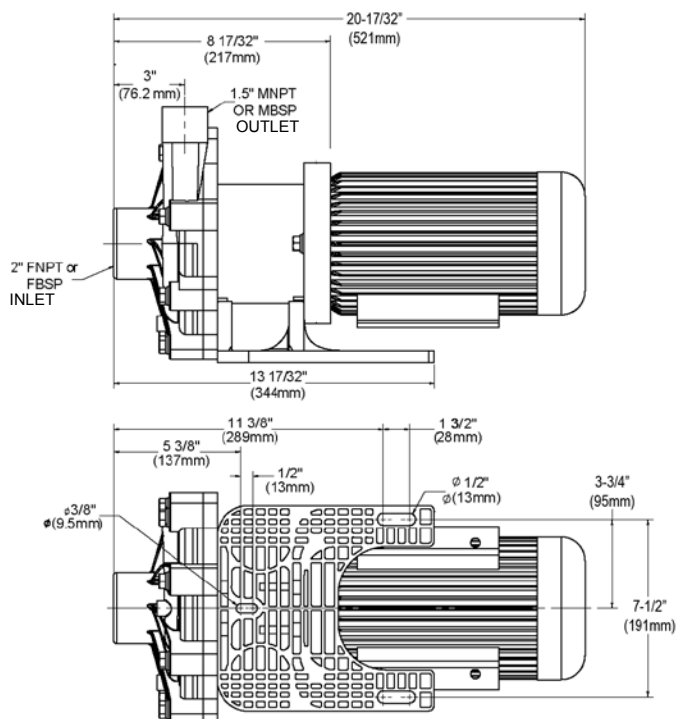
## MTD-3

2" FNPT Inlet X 1-1/2" MNPT Outlet  
5.13" Impeller 60Hz  
5.75" Impeller 50Hz



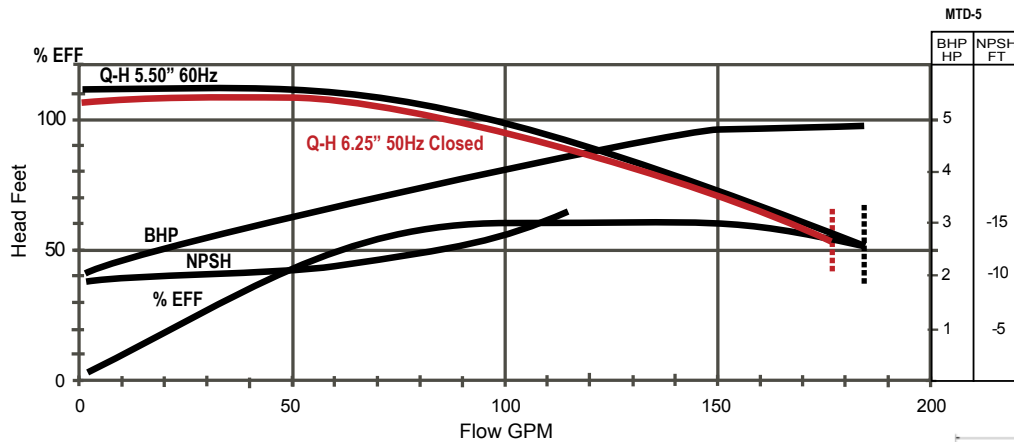
MTD-2 / MTD-3

PUMP WEIGHT - 27 lbs (12.2 kg)  
MOTOR WEIGHT - 31 lbs (14 kg)

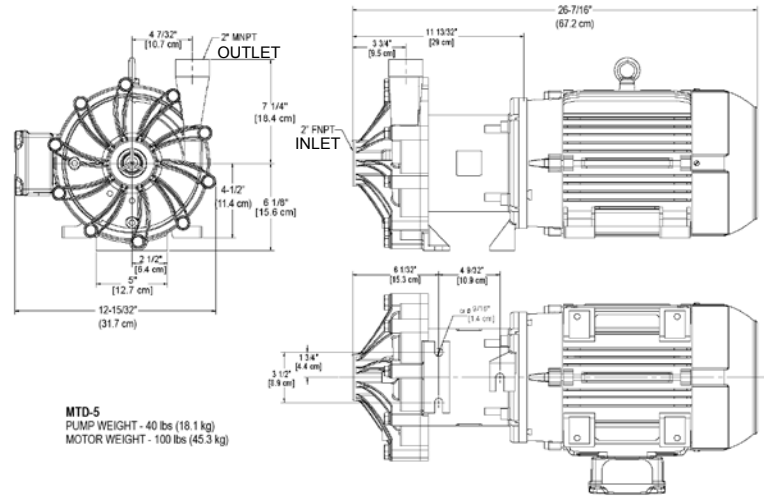


# Series MTD

## MTD-5



2" FNPT Inlet X 2" MNPT Outlet  
 5.50" Impeller 60Hz  
 6.25" Impeller 50Hz

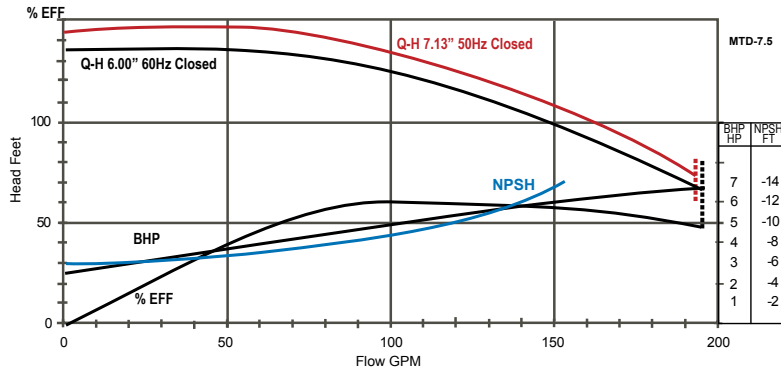


MTD-5  
 PUMP WEIGHT - 40 lbs (18.1 kg)  
 MOTOR WEIGHT - 100 lbs (45.3 kg)

### SPECIFICATIONS

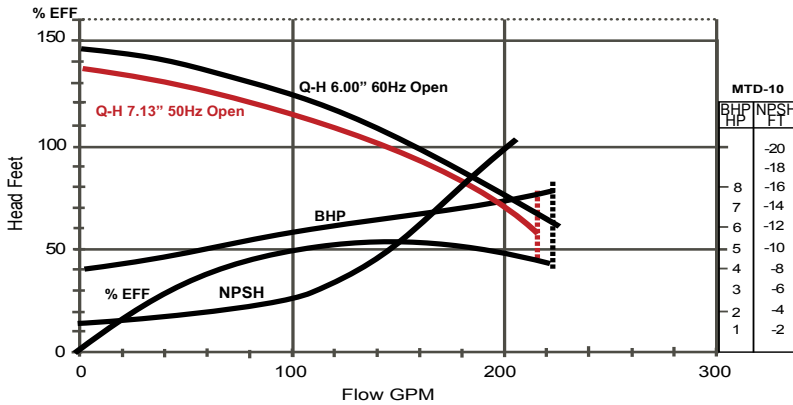
Model	60 HZ Impeller Diameter	Pump Maximum Flow, gpm	Performance Maximum TDH, Ft.	50 HZ Impeller Diameter	Pump Per Maximum Flow, gpm	Performance Maximum TDH, Ft.	Pump Inlet FNPT	Connections Outlet MNPT	Motor					
									HP	RPM	Volts	Hertz	Phase	Amps
MTD-1/4B-1-1	3.00"	19	35	3.00"	15	24	1"	1/2"	1/4	3000/2450	115-110	60/50	1	1.4-1.5
NTD-1/4B-1-2	3.00"	19	35	3.00"	15	24	1"	1/2"	1/4	3000/2450	230-220	60/50	1	1.4-1.5
MTD-1/4C-1-1	3.00"	19	35	3.00"	15	24	1"	1/2"	1/4	3000/2450	115-110	60/50	1	2.4-2.5
MTD-1/4C-1-2	3.00"	19	35	3.00"	15	24	1"	1/2"	1/4	3000/2450	230-220	60/50	1	2.4-2.5
MTD-1/2B-4-1	3.88"	42	53	4.18"	41	49	1"	1"	1/2	3450	115/230	60	1	7.0/3.5
MTD-1/2B-4-2	3.88"	42	53	4.18"	41	49	1"	1"	1/2	3450/2850	115-110/230-220	60/50	1	7.0-6.6/3.5-3.3
MTD-1/2B-4-3	3.88"	42	53	4.18"	41	49	1"	1"	1/2	3450/2850	230-190/460-380	60/50	3	2.0-2.0/1.0-1.0
MTD-1/2C-4-1	3.88"	42	53	4.18"	41	49	1"	1"	1/2	3450	115/230	60	1	7.0/3.5
MTD-1/2C-4-2	3.88"	42	53	4.18"	41	49	1"	1"	1/2	3450/2850	115-110/230-220	60/50	1	7.0-6.6/3.5-3.3
MTD-1/2C-4-3	3.88"	42	53	4.18"	41	49	1"	1"	1/2	3450/2850	230-190/460-380	60/50	3	2.0-2.0/1.0-1.0
MTD-3/4B-2-1	3.63"	60	46	4.18"	61	47	1 1/2"	1"	3/4	3450	115/230	60	1	9.6/4.8
MTD-3/4B-2-2	3.63"	60	46	4.18"	61	47	1 1/2"	1"	3/4	3450/2850	115-110/230-220	60/50	1	9.6-9.2/4.8-4.6
MTD-3/4B-2-3	3.63"	60	46	4.18"	61	47	1 1/2"	1"	3/4	3450/2850	230-190/460-380	60/50	3	2.6-2.8/1.3-1.4
MTD-3/4C-2-1	3.63"	60	46	4.18"	61	47	1 1/2"	1"	3/4	3450	115/230	60	1	9.6/4.8
MTD-3/4C-2-2	3.63"	60	46	4.18"	61	47	1 1/2"	1"	3/4	3450/2850	115-110/230-220	60/50	1	9.6-9.2/4.8-4.6
MTD-3/4C-2-3	3.63"	60	46	4.18"	61	47	1 1/2"	1"	3/4	3450/2850	230-190/460-380	60/50	3	9.6-9.2/4.8-4.6
MTD-1B-3-1	3.75"	96	52	4.18"	91	47	1 1/2"	1 1/2"	1	3450	115/230	60	1	11.6/5.8
MTD-1B-3-2	3.75"	96	52	4.18"	91	47	1 1/2"	1 1/2"	1	3450/2850	115-110/230-220	60/50	1	11.6-12.6/5.8-6.3
MTD-1B-3-3	3.75"	96	52	4.18"	91	47	1 1/2"	1 1/2"	1	3450/2850	230-190/460-380	60/50	3	3.6-3.4/1.8-1.7
MTD-1C-3-1	3.75"	96	52	4.18"	91	47	1 1/2"	1 1/2"	1	3450	115/230	60	1	11.6/5.8
MTD-1C-3-2	3.75"	96	52	4.18"	91	47	1 1/2"	1 1/2"	1	3450/2850	115-110/230-220	60/50	1	11.6-12.6/5.8-6.3
MTD-1C-3-3	3.75"	96	52	4.18"	91	47	1 1/2"	1 1/2"	1	3450/2850	230-190/460-380	60/50	3	3.6-3.4/1.8-1.7
MTD-1 1/2B-5-1	4.18"	108	65	4.18"	91	47	1 1/2"	1 1/2"	1.5	3450	115/230	60	1	15/7.5
MTD-1 1/2B-5-2	4.18"	108	65	4.18"	91	47	1 1/2"	1 1/2"	1.5	3450/2850	115-110/230-220	60/50	1	17.8-18.4/8.9-9.2
MTD-1 1/2B-5-3	4.18"	108	65	4.18"	91	47	1 1/2"	1 1/2"	1.5	3450/2850	230-190/460-380	60/50	3	4.4-4.8/2.2-2.4
MTD-1 1/2C-5-1	4.18"	108	65	4.18"	91	47	1 1/2"	1 1/2"	1.5	3450	115/230	60	1	15/7.5
MTD-1 1/2C-5-2	4.18"	108	65	4.18"	91	47	1 1/2"	1 1/2"	1.5	3450/2850	115-110/230-220	60/50	1	17.8-18.4/8.9-9.2
MTD-1 1/2C-5-3	4.18"	108	65	4.18"	91	47	1 1/2"	1 1/2"	1.5	3450/2850	230-190/460-380	60/50	3	4.4-4.8/2.2-2.4
MTD-2B-6-3	4.63"	112	70	5.25"	115	70	2"	1 1/2"	2	3450/2850	230-190/460-380	60/50	3	5.4-5.8/2.7-2.9
MTD-2C-6-3	4.63"	112	70	5.25"	115	70	2"	1 1/2"	2	3450/2850	230-190/460-380	60/50	3	5.4-5.8/2.7-2.9
MTD-3B-7-3	5.13"	130	95	5.75"	115	90	2"	1 1/2"	3	3450/2850	230-190/460-380	60/50	3	7.8-8.6/3.9-4.3
MTD-3C-7-3	5.13"	130	95	5.75"	115	90	2"	1 1/2"	3	3450/2850	230-190/460-380	60/50	3	7.8-8.6/3.9-4.3
MTD-5B-9-3	5.50"	185	112	6.25"	176	108	2"	2"	5	3450/2850	230-190/460-380	60/50	3	11.6-12/5.8-6
MTD-5C-9-3	5.50"	185	112	6.25"	176	108	2"	2"	5	3450/2850	230-190/460-380	60/50	3	11.6-12/5.8-6
MTD-7 1/2B-11-3	6.00"	195	135	7.13"	193	146	2"	2"	7.5	3450/2850	230-190/460-380	60/50	3	17.4-19.6/8.7-9.8
MTD-7 1/2C-11-3	6.00"	195	135	7.13"	193	146	2"	2"	7.5	3450/2850	230-190/460-380	60/50	3	17.4-19.6/8.7-9.8
MTD-10B-13-3	6.00"	212	146	7.13"	208	137	2"	2"	10	3450/2850	230-190/460-380	60/50	3	23-25/11.5-12.5
MTD-10C-13-3	6.00"	212	146	7.13"	208	137	2"	2"	10	3450/2850	230-190/460-380	60/50	3	23-25/11.5-12.5

# Series MTD



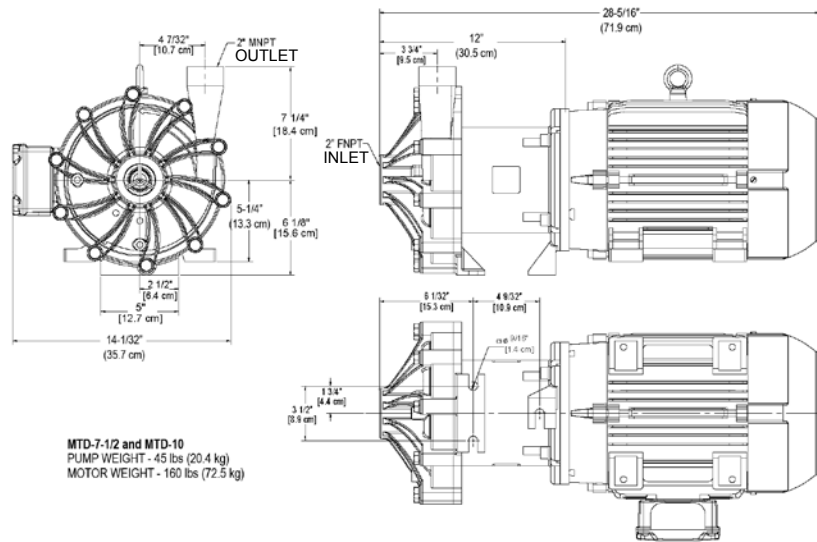
## MTD-7-1/2

2" FNPT Inlet X 2" MNPT Outlet  
6.00" Impeller 60Hz  
7.13" Impeller 50Hz



## MTD-10

2" FNPT Inlet X 2" MNPT Outlet  
6.00" Open Impeller 60Hz  
7.13" Open Impeller 50Hz



### NOMENCLATURE

MTD	HP	Materials of Construction			Impeller Dia. (Inch)	Electrical			Motor Enclosure	Inlet/Outlet Connections
		Pump	O'ring	Impeller Bushing, Thrust Ring & Shaft		Voltage (Volts)	Phase	Cycle/Hertz (hz)		
	1/4	B=polypropylene	Blank=Viton	Blank= Carbon, PTFE, alumina ceramic	1=3.00	1=115 or 115/230	1	60	Blank=TEFC	Blank=NPT
	1/2	C=PVDF	E=EPDM	Si= Silicon carbide, silicon carbide, silicon carbide	2=3.63	2=230 or 115/230	1	50/60	EXP=explosion proof	F=Flange
	3/4		K=Kalrez	T= PTFE, PTFE, alumina ceramic	3=3.75	3=230/460	3	50/60	CD=chem duty	
	1			AC= Alumina ceramic, PTFE, alumina ceramic	4=3.88	4=575	3	60		
	1-1/2				5=4.18					
	2				6=4.63					
	3				7=5.13					
	5				8=5.25					
	7-1/2				9=5.50					
	10				10=5.75					
					11=6.00					
					12=7.13					
					OPEN					
					13=6.00					
					14=7.13					