

Polypropylene *Magnetic Drive Pump*

Series M

Flows to 200 gpm

Pressures to 150 Ft. TDH



Model M-1/3B



Model M-3/4B-SP
Self Primer

Features:
Sealless
No Metal Contact
Bearing-free
Chemical Resistant
Leakproof
Available in 316 SS,
Kynar and Hastelloy

Recommended for:

Transferring Mixing
Filtering Replenishment
Recirculation

Penguin magnetic driven pumps are corrosion resistant to a wide range of chemical solutions including acids, alkalis and caustics up to 180°F. There is no shaft seal, so there is no seal wear, leakage or squeal. There is no seal friction to cause loss of pumping power. The only moving parts inside the pump volute are the impeller magnet assembly and the bushing which rotates on the pure ceramic spindle. Powerful impeller and drive magnets provide full torque, prevent slippage and give instant start-up.

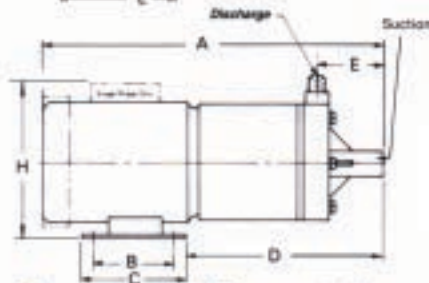
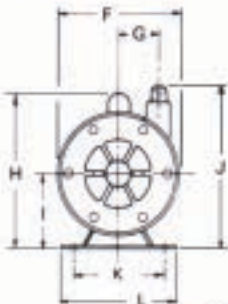
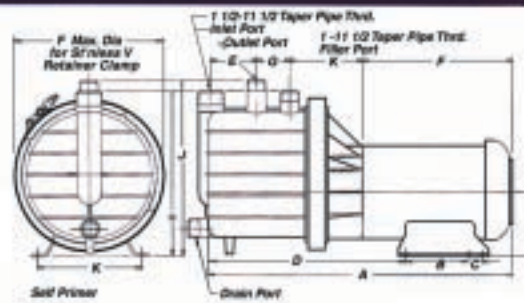
Penguin magnetic driven pumps are constructed of polypropylene and/or ryton (motor bracket, impeller magnet assembly, encapsulated impeller assembly and pump housing), carbon or chemloy or ryton/teflon (bushing), ceramic

(spindle and thrust washers) and viton O-ring). All motors are totally enclosed fan cooled. As an option, single phase motors are wired for 115V and supplied with cord and grounding plug.

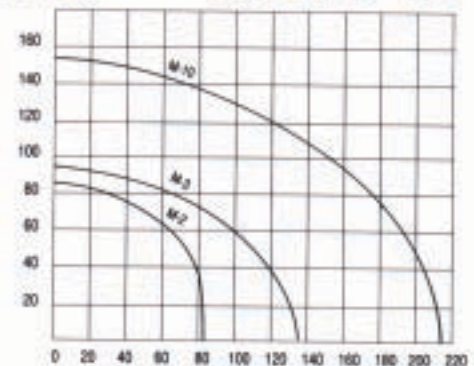
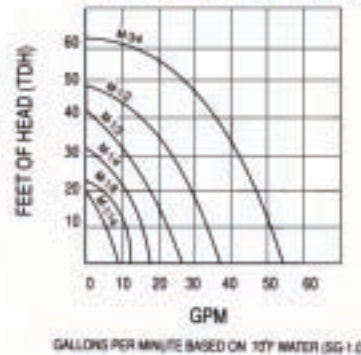
Model M-3/4 can be supplied as a self priming unit using a 1HP motor. Also as an option, Penguin priming chambers can be supplied to other M series pumps to facilitate priming the pump and reduce the danger of running the pump dry. Mounted on a common polypropylene base, the priming chamber is piped directly to the suction of the pump with a flow valve on the pump discharge. Casters can be added for portability. 316 SS and Kynar construction are available on many Penguin models.

PENGUIN 
FILTER PUMP INDUSTRIES

Polypropylene Magnetic Drive Pump



Performance Series M



Dimensions

Model	A	B	C	D	E	F	G	H	I	J	K	L
M-1/14	9	23/8	3	3	1 1/4	3 3/4	1	4 1/8	2 3/8	5	2 5/8	3 3/8
M-1/8	10 1/8	2 3/8	3 1/8	5 5/16	1 1/4	5 7/32	1 1/4	4 1/2	2 1 3/8	5 5/8	2 5/8	3 1/2
M-1/4	14 1/2	2 3/4	3 1/2	8 5/16	1 8/16	6 1/4	1 3/4	6 1/2	3	8 1/2	4 1/4	5 3/8
M-1/3	14 11/16	3	4 15/16	8 5/16	2 3/32	6 1/8	1 13/16	6 3/8	3 1/2	7 3/32	4 7/8	6 1/8
M-1/2	14 1/2	3	4 15/16	7 5/8	2 1/8	6 5/32	1 7/8	6 7/8	3 1/2	7	4 7/8	6 5/32
M-3/4	19	3	4 1/4	9 15/32	2 3/4	7	1 3/4	7	3 15/32	7 1/4	4 7/8	7
M-7/8-SP	21 25/32	4 1/2	1"	14 5/32	3 1/4	10 3/4	2 3/8	11 5/8	4 1/2	12 3/8	7 1/2	5 1/4
M-2	20 1/8	4 1/2	7 1/2	10 15/16	3 1/16	7 9/16	2 3/4	9	4 1/2	10	7 1/2	8 1/2
M-3	25 1/4	4 1/2	5 1/2	16 5/8	3 7/8	10 3/8	3 3/32	12 3/16	4 1/2	9 3/4	7 1/2	8 3/4
M-10	32	7	13 3/8	16 11/32	4 19/32	12 1/2	4 1/4	14 1/2	6 1/4	13 1/4	8 1/2	9 1/2

Specifications

Model	Max Flow (gpm)	Max Head (ft)	Suction	Discharge	MOTOR						DIMENSIONS			
					HP	RPM	Volts	Hertz	Phase	Amps	Ht	Wth	Lth	Wt
M-1/14	10	20.5	3/4" FPT	1/2" MPT	1/15	3000/2500	115	50/60	Single	2.1/1.7	7	6	11	8
M-1/8	14	21.5	1" FPT	1/2" MPT	1/10	3450	115	50/60	Single	1.85	11	6	6	10
M-1/4	17	31	1" FPT	1/2" MPT	1/5	3450	115/230	50/60	Single	3.4/1.7	14 1/4	11	16	25
M-1/3	27	41	1" FPT	3/4" MPT	1/3	3450/2850	115/230 230/460	50/60	Single Three	4.8/2.4 1.1/0.55	12	10	20	28
M-1/2	35	48	1" FPT	3/4" MPT	1/2	3450/2850	115/230 230/460	50/60	Single Three	6.8/3.4 1.3/0.65	12	10	20	35
M-3/4	53	63	1 1/2" FPT	1" MPT	3/4	3450/2850	115/230 230/460	50/60	Single Three	10/5 2.4/1.2	12	10	20	39
M-2	82	85	1 1/2" MPT	2" MPT	2	3450	230/460	50/60	Three	5.2/2.6	10	8 1/2	20 1/2	70
M-3	135	95	2" MPT	1 1/2" MPT	3	3450	230/460	60	Three	7.8/3.9	13	14	26	160
M-10	200	150	3" MPT	2" MPT	10	3450	230/460	60	Three	2.7/13.5	15	17	32	220

NOTE: EXPLOSION PROOF MOTORS ARE AVAILABLE - CONSULT THE FACTORY

Nomenclature

Magnetic Driven Pump	M - 1/4	B	
Horsepower	1/14 = 1/15 1/8 = 1/10 1/4 = 1/5 1/3 = 1/3 1/2 = 1/2 3/4 = 3/4 2 = 2 3 = 3 5 = 5	Construction Material B = Polypropylene C = PVDF/Kynar S = 316 SS H = Hastelloy	Self Primer SP = Self Priming Pump/ 1hp motor
Not all combinations available. Contact factory.			



FILTER PUMP INDUSTRIES

A Division of Penguin Pumps, Inc.
7932 Ajay Drive, Sun Valley, CA 91352
(818) 504-2391 FAX (818) 768-7590