

Polypropylene Horizontal Centrifugal Pump

Features:

Flows to 132 GPM
Pressure to 74Ft. TDH
Corrosion Resistant
Optimum Efficiency
Internal Diplo Seal
High Flow Rates

Recommended Applications:

Semi-Corrosive Applications
Photographic
Recirculation Pumps
Water Treatment
Spraying/Rinse Applications
General Industrial Use



Model HOM-1/2V

Penguin series HOM horizontal centrifugal pumps are designed as an economical alternative for OEM applications which require high flow rates under moderate head conditions with minimum suction lift. A true volute design accompanied by a full diameter impeller creates a highly efficient, energy-saving pump since less horsepower is required. The true volute design eliminates shock losses, prolongs seal life, and produces smooth and quiet operation. The rear impeller vanes are designed to insure proper lubrication of the seal cavity while the central discharge of the volute pump housing prevents air locking.

The HOM series pumps are easy to assemble and disassemble. The pump bracket and half the volute are one piece. The V-band tightens and seals the front cover to the volute pump housing, thus eliminating the use of many housing cover nuts and bolts. The volute pump housing and cover are supplied in glass filled polypropylene and the impeller is CPVC.

Motors and Shafts

Totally enclosed fan cooled standard NEMA 56J frame motors are employed. The motors are supplied with mounting feet and a 7/16-20 UNF threaded shaft.

Elastomers

Ethylene propylene (EPR) is the standard elastomer for O-rings and seal components. Viton is available as an option.

Seals

A completely metalless Diplo seal is supplied containing a simple two-part design for higher reliability, lower leakage, easier installation, and minimized damage from dry running. Standard materials are carbon/ceramic/EPR. Carbon/ceramic/viton is available as an option.

T-Bolt Saddle Latch

A unique quick release V-clamp is supplied in 300 stainless steel designed for applications which require frequent assembly and disassembly. The T-bolt passes through a notch in the strap or latch allowing the clamp to open without removing the knob.

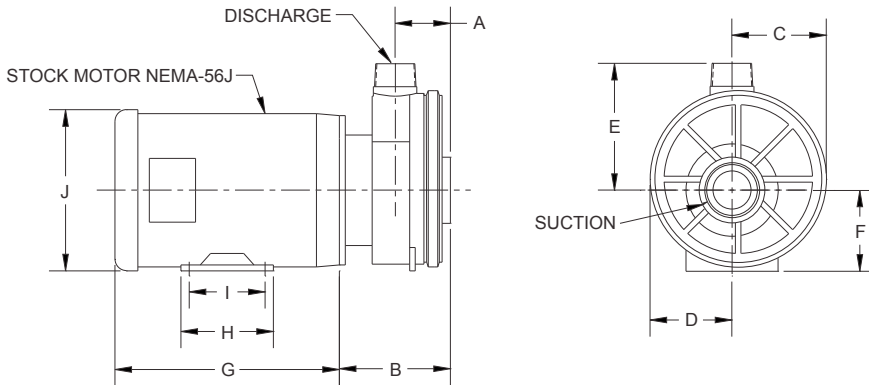
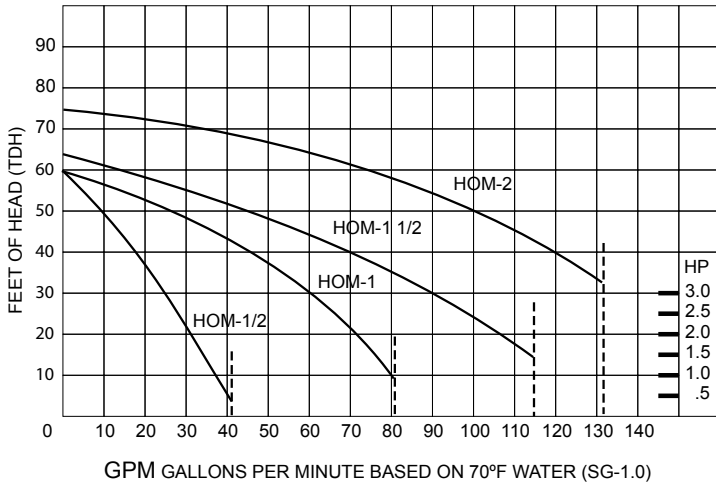
Self-Priming Option

This threaded CPVC priming chamber aids in helping to prime the pump. An optional CPVC flapper valve with EPR elastomers and a 2" FPT inlet port is also available.

Series HOM

Polypropylene Horizontal Centrifugal Pump

Performance



Dimensions

Specific Gravity Increased HP

MODEL	MOTOR HP	SPECIFIC GRAVITY
HOM-1/2	1/2 HP*	1.0
	3/4 HP**	1.1-1.5
	1 HP	1.5-2.0
HOM-1	1 HP*	1.0
	1 1/2 HP**	1.1-1.5
	2 HP	1.5-2.0
HOM-1 1/2	1 1/2 HP*	1.0
	2 HP	1.1-1.3
HOM-2	3 HP	1.3-2.0
	2 HP*	1.0
	3 HP	1.1-1.5

Specifications

Model	Max Flow (gpm)	Max Head (ft)	Suction	Discharge	Motor						Dimensions			
					HP	RPM	Volts	Hertz	Phase	Amps	Ht	Wth	Lth	Wt
HOM-1/2	41	60	2" FPT	1 1/2" MPT	1/2	3450	115/230	60	1	9.6/4.8	10	10	13	22
HOM-1	81				1		230/460			3				
HOM-1 1/2	114	65			1 1/2	115/230	1	15.75	14	30				
HOM-2	132	74			2	230/460	3	4.6/2.3						
							115/230		1	23/11.5				
							230/460		3	5.4/2.7				37

Nomenclature

HOM	1/2		E		PCE		3/4	
	Horizontal	Horsepower	Seal	Optional Priming Chamber	Optional Increased Horsepower			
Centrifugal	1/2=1/2		E=ethylene/propylene	PCE=priming chamber/ EPR elastomer	3/4=3/4			
Pump	1=1		carbon/ceramic	PCV=priming chamber/ Viton elastomer	1=1			
	1 1/2=1 1/2		V=viton		1 1/2=1 1/2			
	2=2		carbon/ceramic		2=2			
					3=3			